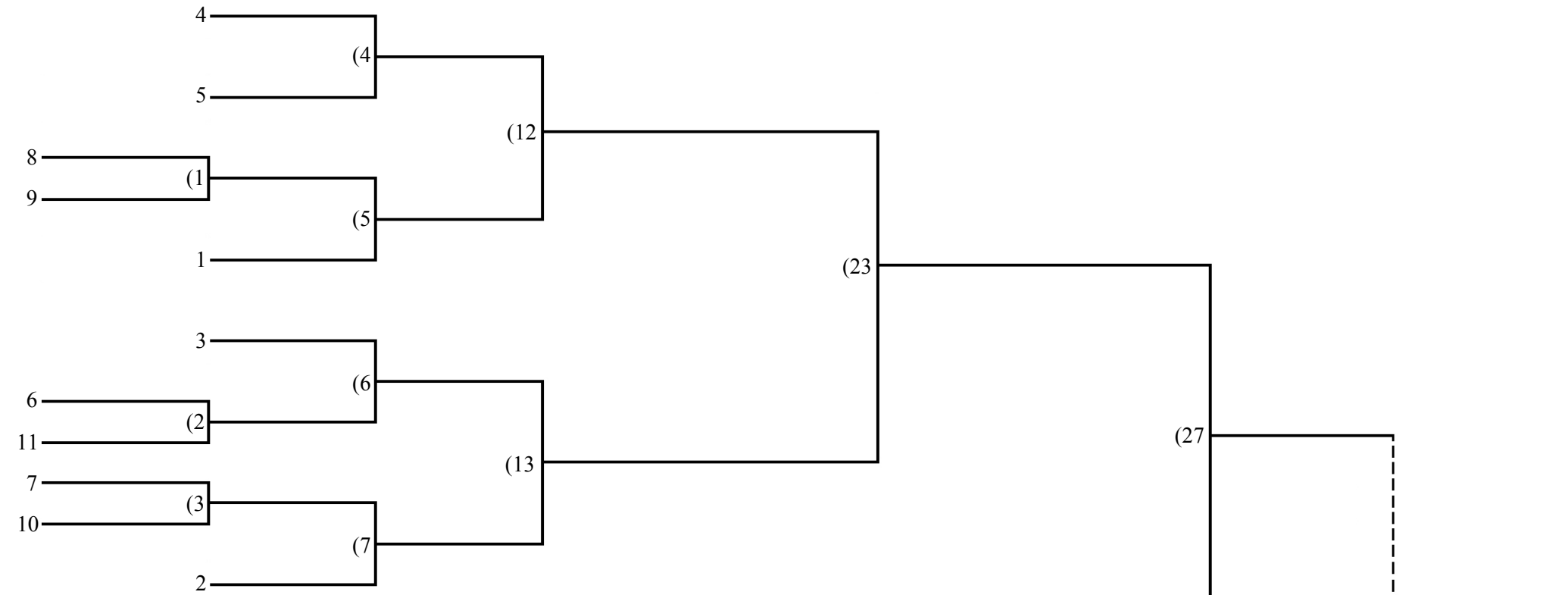
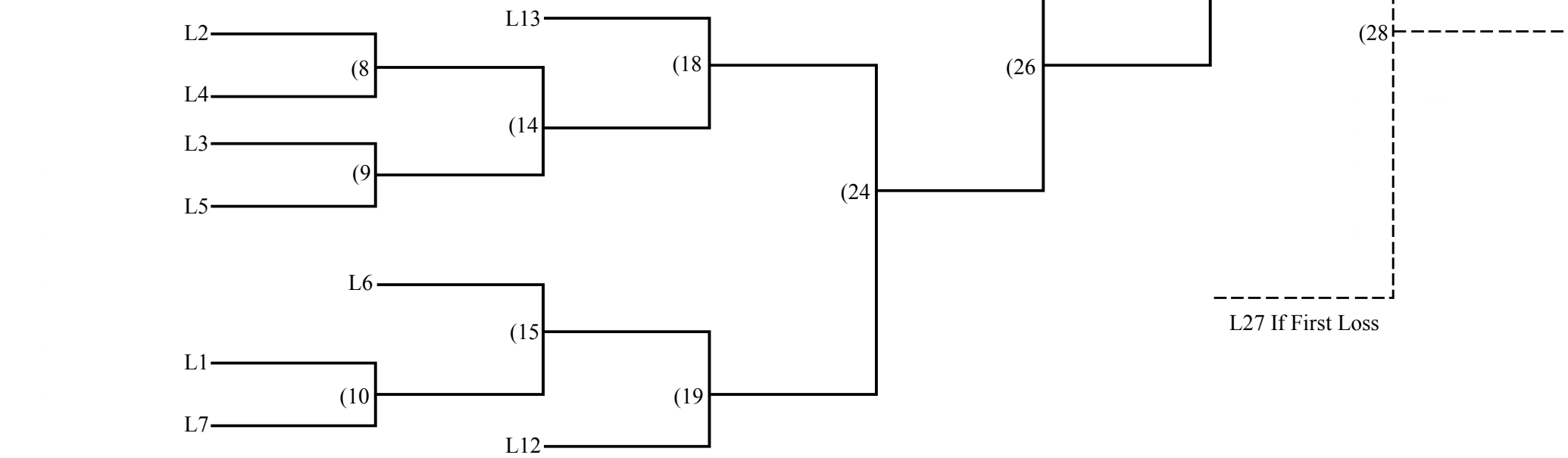


11 Team Triple Elimination

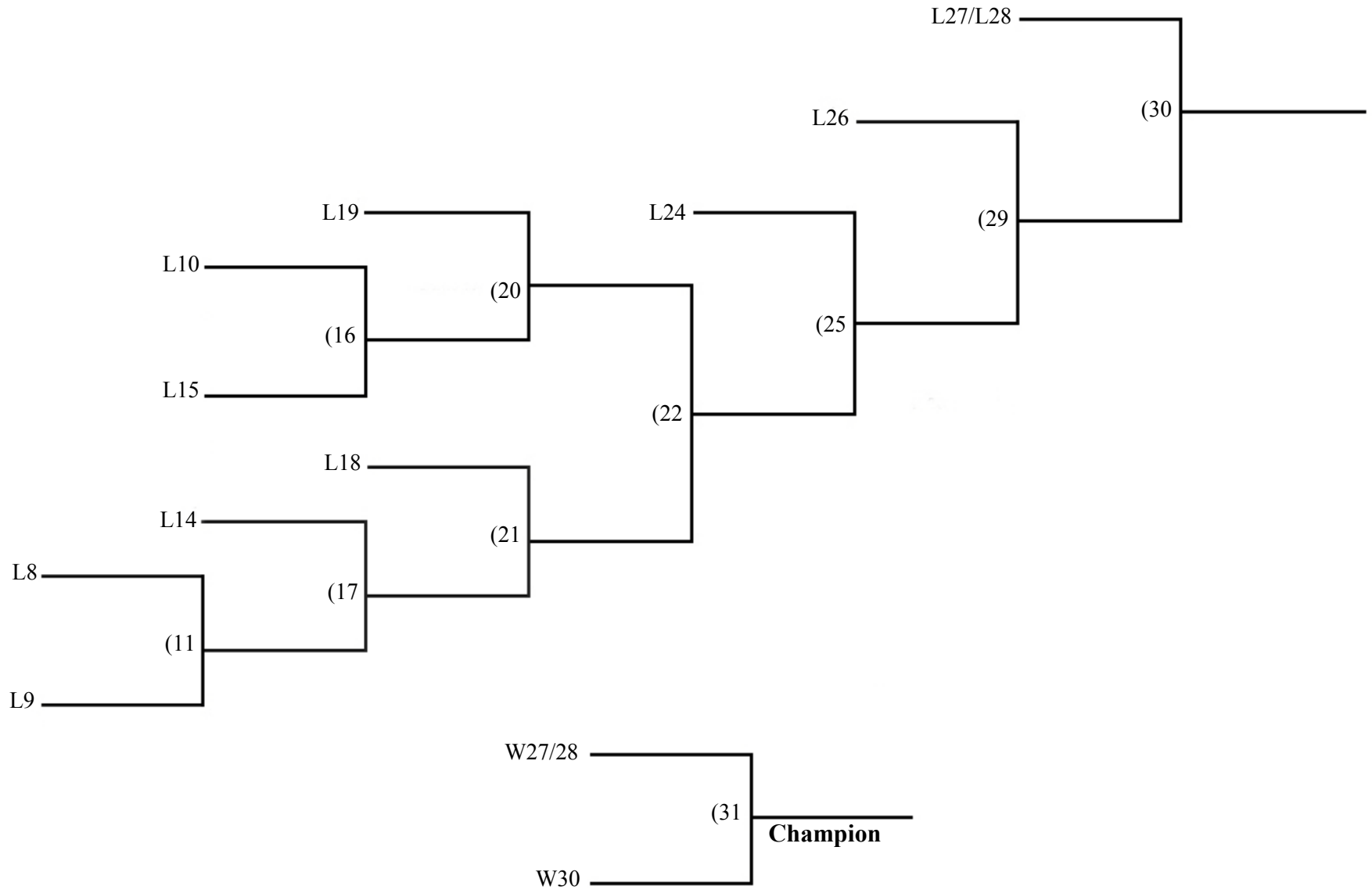
Winner's Bracket



Loser's Bracket 1



Loser's Bracket 2



Winner of Game 30 must beat the Winner of game 27/28 either 2 or 3 times based on the number of losses they have.